

Transverse Engine Mount - Abnormal Noise and Vibration on Acceleration

Service Category Drivetrain

Section Manual Transmission/Transaxle

Market USA

Toyota Supports
 ASE Certification 

Applicability

YEAR(S)	MODEL(S)	ADDITIONAL INFORMATION
2007 – 2009	Yaris	Body Type(s): 3Dr. Hatch Back, 4Dr. Sedan, 5Dr. Hatch Back Transmission(s): 5MT

Introduction

Some 2007 – 2009 model year Yaris vehicles may exhibit an abnormal noise and vibration during one or more of the following conditions:

- Accelerating from a stop.
- While shifting gears.

Refer to the following repair procedure to address customer concerns.

Production Change Information

This TSB applies to vehicles produced **BEFORE** the Production Change Effective VINs shown below.

MODEL	BODY	PLANT	PRODUCTION CHANGE EFFECTIVE VIN
Yaris	3 Door Hatch Back	Shokki	JTDJT903*95263294
	5 Door Hatch Back		JTDKT903*95263299
	4 Door Sedan	Kanto	JTDBT903*91339416
		Central	JTDBT903*94060218

Parts Information

PREVIOUS PART NUMBER	CURRENT PART NUMBER	PART NAME	QTY
12372-21130	12372-21131	Insulator, Engine Mounting, LH	1

Transverse Engine Mount - Abnormal Noise and Vibration on Acceleration

Warranty Information

OP CODE	DESCRIPTION	TIME	OFP	T1	T2
111261	R & R Engine Mounting Insulator LH	0.5	12372-21130	91	14

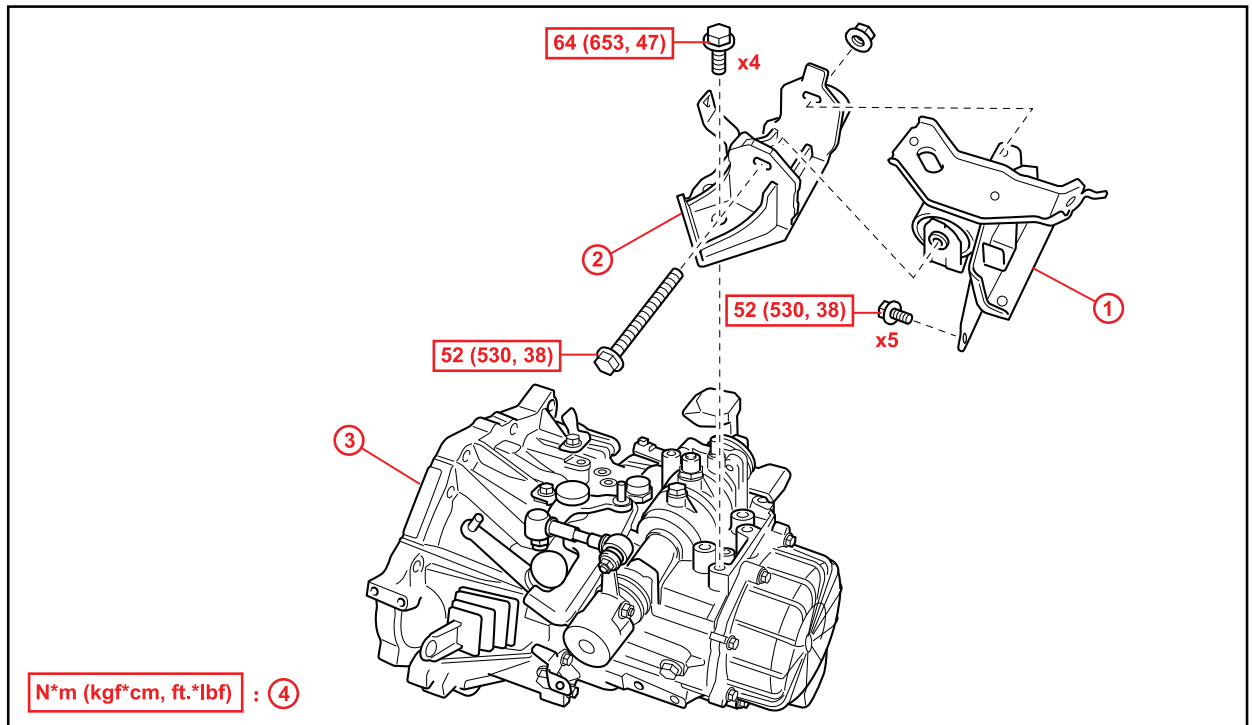
APPLICABLE WARRANTY

- This repair is covered under the Toyota Powertrain Warranty. This warranty is in effect for 60 months or 60,000 miles, whichever occurs first, from the vehicle's in-service date.
- Warranty application is limited to correction of a problem based upon a customer's specific complaint.

Repair Procedure

1. Confirm the customer concern.
2. Inspect the LH engine mount rubber for separation.
3. If separation is noted, replace the LH engine mount.

Figure 1.



1	Transverse Engine Mounting Insulator
2	Transverse Engine Mounting Bracket

3	Manual Transaxle Assembly
4	Specified Torque

4. Test drive the vehicle to confirm the repair.